



## ADM-1812AP-VHB

Panel Mount 12.1-inch 1000 nits Very High Bright Sunlight Readable LCD Display Monitor

### Features

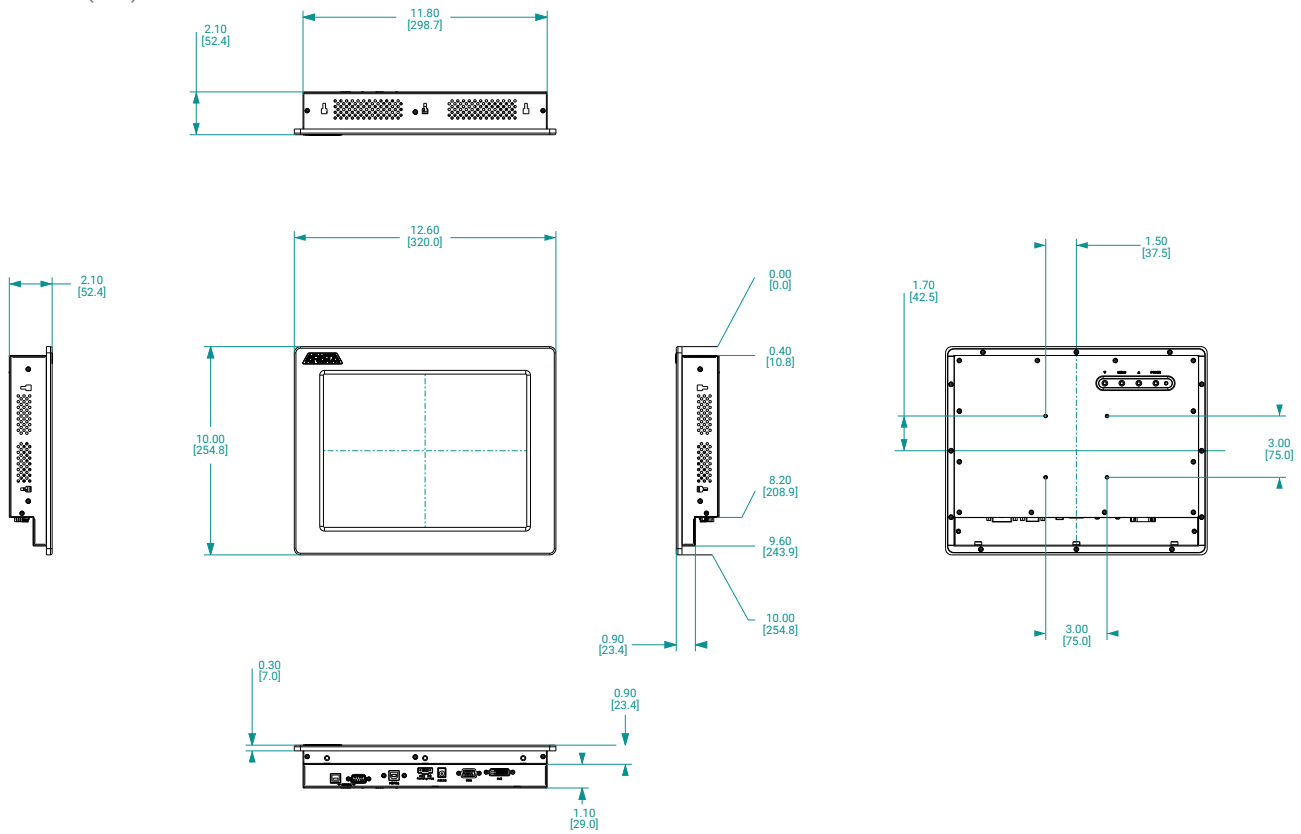
- 12.1-inch LCD Display, 1024 x 768 resolutions
- 1000 nits Very High Bright Sunlight Readable
- 5-Wire Resistive Touch Screen or Tempered Glass
- RS-232, USB Touch Interface
- Powder Coated Aluminum or Stainless-Steel Bezel
- Bezel meets IP65 / NEMA 4X requirements
- VGA, DVI Input
- 24VDC Operating Voltage option

### Specifications

Model Name	ADM-1812AP-VHB
<b>LCD Display</b>	
Display Size (Diagonal)	12.1"
Max Resolution	1024 x 768 *See Ordering Information for details
Backlight Lifetime (Hours)	50,000 hours
<b>Visual Characteristics</b>	
Colors	16.2 million
Aspect Ratio	4:3
Viewing Angle (V/H)	140° / 160°
Contrast Ratio	700:1
Brightness	1000 nits
<b>Input Interface</b>	
VGA	Yes
DVI	Yes
HDMI	N/A
Display Port	N/A
CVBS	N/A
YPbPr	N/A
<b>Touchscreen</b>	
Technology	5-Wire Resistive
Interface	RS-232, USB
Driver	WinXP, Win 7, Win10
<b>Front Bezel</b>	
NEMA 4	Black Powder Coated
NEMA 4X	Stainless Steel (Optional)
<b>Power/Thermal Specs</b>	
Power Requirement (Max)	--
Power Consumption (Max)	--
Recommended Power Supply	--
Heat Dissipation	--
<b>Physical Information</b>	
Mounting	Panel Mount
Net Weight	8.8 lbs / 4 kg
Dimension (W x H x D)	12.60 x 10.03 x 2.06 inch 320.0 x 254.8 x 52.4 mm
Recommended Cutout Dimension (WxH)	11.96 x 9.38 inch 303.8 x 238.3 mm
<b>Environmental</b>	
Operating Temperature	0~35°C (32~95°F)
Storage Temperature	-20~60°C (-4~140°F)
Humidity	5% to 95% (non-condensing)
Rating	Bezel Meets NEMA 4 / NEMA 4X requirements
Certification	N/A

## Dimension Drawing

Model Name: ADM-1812AP  
 Size Unit: inch(mm)



## Ordering Information

Item	ADM-1812AP-A01-000-VHB	ADM-1812AP-A01-001-VHB
LCD Display	VHB 12.1" / 1024 x 768	VHB 12.1" / 1024 x 768
Touch Screen	5-Wire Resistive	5-Wire Resistive
Mounting	Panel Mount	Panel Mount
Bezel	Black	Black
Power Supply	24VDC Input	12VDC Power Adaptor

Item	ADM-1812AP-A01-004-VHB	ADM-1812AP-A01-005-VHB
LCD Display	VHB 12.1" / 1024 x 768	VHB 12.1" / 1024 x 768
Touch Screen	5-Wire Resistive	5-Wire Resistive
Mounting	Panel Mount	Panel Mount
Bezel	Stainless Steel	Stainless Steel
Power Supply	24VDC Input	12VDC Power Adaptor

Item	ADM-1812AP-A01-Z00-VHB	ADM-1812AP-A01-Z01-VHB
LCD Display	VHB 12.1" / 1024 x 768	VHB 12.1" / 1024 x 768
Touch Screen	No Touch	No Touch
Mounting	Panel Mount	Panel Mount
Bezel	Black	Black
Power Supply	24VDC Input	12VDC Power Adaptor

Item	ADM-1812AP-A01-Z04-VHB	ADM-1812AP-A01-Z05-VHB
LCD Display	VHB 12.1" / 1024 x 768	VHB 12.1" / 1024 x 768
Touch Screen	No Touch	No Touch
Mounting	Panel Mount	Panel Mount
Bezel	Stainless Steel	Stainless Steel
Power Supply	24VDC Input	12VDC Power Adaptor